

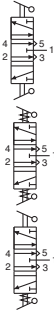
4-WAY TOGGLE VALVES



3 Position Toggle Valves

By choosing valves with different toggle position options the user can customize the application to best suit the needs. For example, the DM model can be used on the momentary side as a “jog” or “manual” control, and with the detented side for “automatic” or “run” mode.

Valves are made of solid brass, bright dipped finish to resist corrosion; stems and springs are of stainless steel, toggle of black acetyl plastic or ENP brass, and seals of Buna-N rubber.



Model Number				
TV-4D	#10-32	Detented	SPRING CENTERED supply blocked both sides exhausted	Detented
TV-4DP	1/8" NPT			
TV-4M	#10-32	Momentary		Momentary
TV-4MP	1/8" NPT			
TV-4DM	#10-32	Detented		Momentary
TV-4DMP	1/8" NPT			

Medium: Air

Materials: Brass body, Buna-N seals, stainless steel stem and spring

Input Pressure: 150 psig/10 bar max.

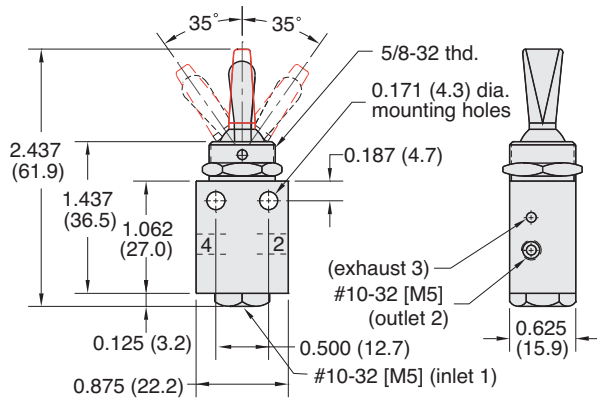
Air Flow: 4.5 scfm @ 50 psig; 7.5 scfm @ 100 psig;
180 l/min @ 6 bar

Force For Full Stem Travel: 8 oz. nominal

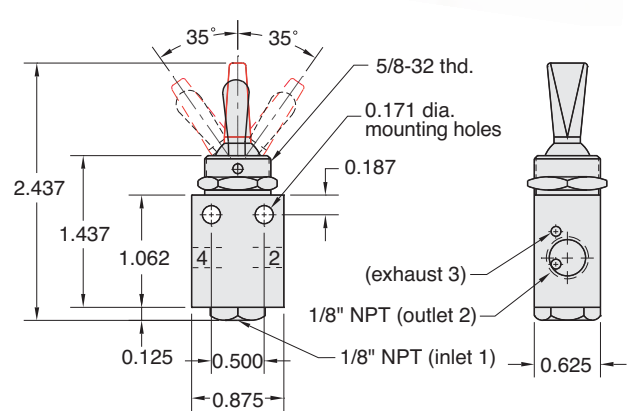
Toggle: Plastic or ENP Brass

Mounting: 5/8-32 thread. Nut and lockwashers furnished.

3 Position Toggle Valves, #10-32



3 Position Toggle Valves, 1/8" NPT



Part No.	Description
TV-4D	Plastic Toggle Valve, Detented/Detented
TV-4M	Plastic Toggle Valve, Momentary/Momentary
TV-4DM	Plastic Toggle Valve, Detented/Momentary
TV-4D-H	ENP Brass Toggle Valve, Detented/Detented
TV-4M-H	ENP Brass Toggle Valve, Momentary/Momentary
TV-4DM-H	ENP Brass Toggle Valve, Detented/Momentary

Part No.	Description
TV-4DP	Plastic Toggle Valve, Detented/Detented
TV-4MP	Plastic Toggle Valve, Momentary/Momentary
TV-4DMP	Plastic Toggle Valve, Detented/Momentary
TV-4DP-H	ENP Brass Toggle Valve, Detented/Detented
TV-4MP-H	ENP Brass Toggle Valve, Momentary/Momentary
TV-4DMP-H	ENP Brass Toggle Valve, Detented/Momentary